



eFLASHER V

Light and convenient, the **eFLASHER V** is ideal for every deaf videoconference user. **eFLASHER V** model (EFL500) provides one (1) flash for each regular telephone ring and double-flashes (2) for each Broadband ring for a distinguished noticeable flashing signal lamp. Whether you are away from your T.V. or telephone and cannot hear the ringing sound, the **eFLASHER V** is designed to quickly alert users to any IP-VRS, VRS, or videochat signal calls, plus regular calls for TTY. Another **eFLASHER V** model (EFL501) is available for those users who does not want a flasher feature for TTY calls. The **eFLASHER V** works with D-Link (DVC-1000), Sorensen (VP-100), or any other similar products that have the cadence ringing output port jack available.

Prices:

- \$89.95 per unit (#EFL500)
- \$84.95 per unit (#EFL501)
- \$8.50 shipping/handling
- Includes an "easy-to-read" instruction manual
- Compact lightweight size: (5.75" W x 3.25" D x 2.0" H)
- Meets FCC & U.L.
- One year warranty
- Quantities over 10 units are available at discounted price
- See reverse page for **eFLASHER V** simplify installation

Order:

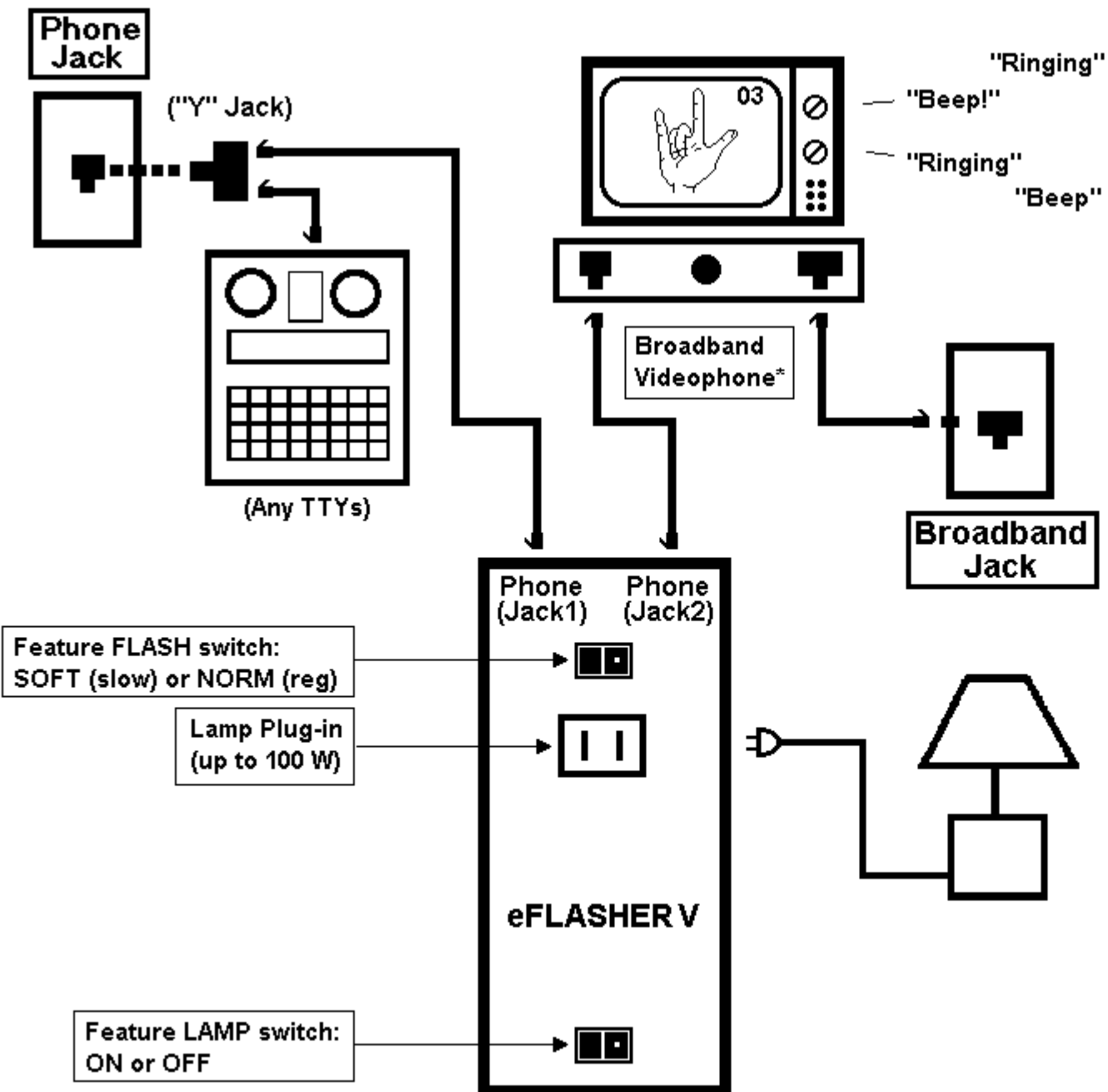
- Charge cards (Discover/ MC/VISA), Qualifying Purchase Order, Check, Money Order to:

DEAFWORKS

P.O. Box 1265
Provo, UT 84603-1265

TTY: (801) 465-1957
FAX: (801) 465-1958
eflasher@deafworks.com
www.deafworks.com

Basic eFLASHER V Installation



NOTE: eFLASHER V provides one (1) flash for each telephone ring and double-flashes (2) for each Broadband ring.

* D-Link (DVC-1000), Sorenson (VP-100), or any other similar products that have the candence ringing output port jack available to eFLASHER V's unit input jack.

The DEAFWORKS Co.
P.O. Box 1265
Provo, UT 84603-1265
TTY: (801) 465-1957
FAX: (801) 465-1958
eflasher@deafworks.com